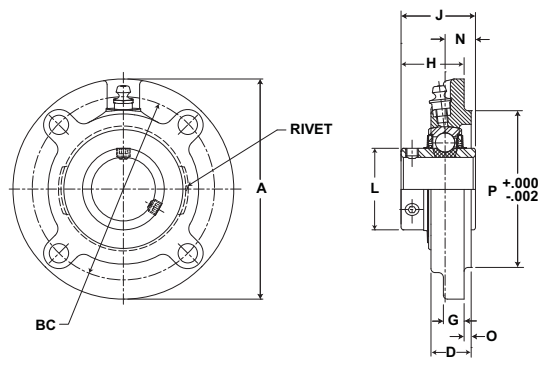


Browning[®] Mounted Ball Bearings



- Duty:** Standard
- Rolling Elements:** Ball
- Housing:** Cast Iron Piloted Flange Cartridge
- Self Alignment:** +/- 1.5 Degrees
- Lock:** Setscrew
- Seal:** Contact and Flinger
- Temperature:** -20° to 200°F



VFCS 200 Series Standard Duty Piloted Flange Cartridges - Setscrew Locking

Bore Diameter inch	Part No.	Bearing Insert No.	Basic Dynamic Rating lb/N	Dimensions inch / mm										Bolt Size	Unit Wt. lb/kg
				A	BC	D	G	H	J	L	N	O	P		
1 1/8	VFCS-218	VS-218	4381 19487	4 3/8	3 5/8	1 63/64	13/32	1 1/4	1 1/2	1 19/32	5/8	7/32	3.000	5/16	2.4 1.09
1 3/16	VFCS-219	VS-219		111.1	92.1	50.4	10.3	31.8	38.1	40.5	15.9	5.6	76.20		
1 1/4	VFCS-220S	VS-220S													
1 1/4	VFCS-220	VS-220	5782 25718	5	4 1/8	1 1/16	13/32	1 5/16	1 11/16	1 55/64	11/16	11/32	3.375	3/8	3.2 1.45
1 3/8	VFCS-222	VS-222		127.0	104.8	27.0	10.3	33.3	42.9	47.2	17.5	8.7	85.73		
1 7/16	VFCS-223	VS-223													
1 1/2	VFCS-224	VS-224	7340 32648	5 1/4	4 3/8	1 3/16	13/32	1 1/2	1 15/16	2 1/16	3/4	13/32	3.625	3/8	3.6 1.63
1 5/8	VFCS-226	VS-226													
1 11/16	VFCS-227	VS-227	7901 35144	6 1/8	5 1/8	1 3/16	13/32	1 1/2	1 15/16	2 19/64	3/4	13/32	4.250		
1 3/4	VFCS-228	VS-228		155.6	130.2	30.2	10.3	38.1	49.2	58.3	19.1	10.3	107.95	7/16	4.9 2.22
1 15/16	VFCS-231	VS-231	7889 35090	6 1/8	5 1/8	1 15/64	13/32	1 19/32	2 1/16	2 15/32	3/4	7/16	4.250	7/16	5.7 2.59
2	VFCS-232S	VS-232S		155.6	130.2	31.4	10.3	40.5	52.4	62.7	19.1	11.1	107.95		
2	VFCS-232	VS-232	9752	6 3/8	5 3/8	1 3/8	13/32	1 37/64	2 13/64	2 23/32	7/8	19/32	4.500	7/16	6.0 2.72
2 3/16	VFCS-235	VS-235	43377	161.9	136.5	34.9	10.3	40.1	56.0	69.1	22.2	15.1	114.30		
2 1/4	VFCS-236	VS-236	11789	7 1/8	6	1 27/32	17/32	2	2 7/8	2 63/64	1	23/32	5.000	1/2	7.1 3.22
2 7/16	VFCS-239	VS-239	52437	181.0	152.4	46.8	13.5	50.8	73.0	75.8	25.4	18.3	127.00		

Metric dimensions for reference only.
 Not all parts are available from stock. Please contact customer service for availability (800) 626-2120.
 For more information on bearing capabilities outside of our standard offering, please contact Application Engineering (800) 626-2093.